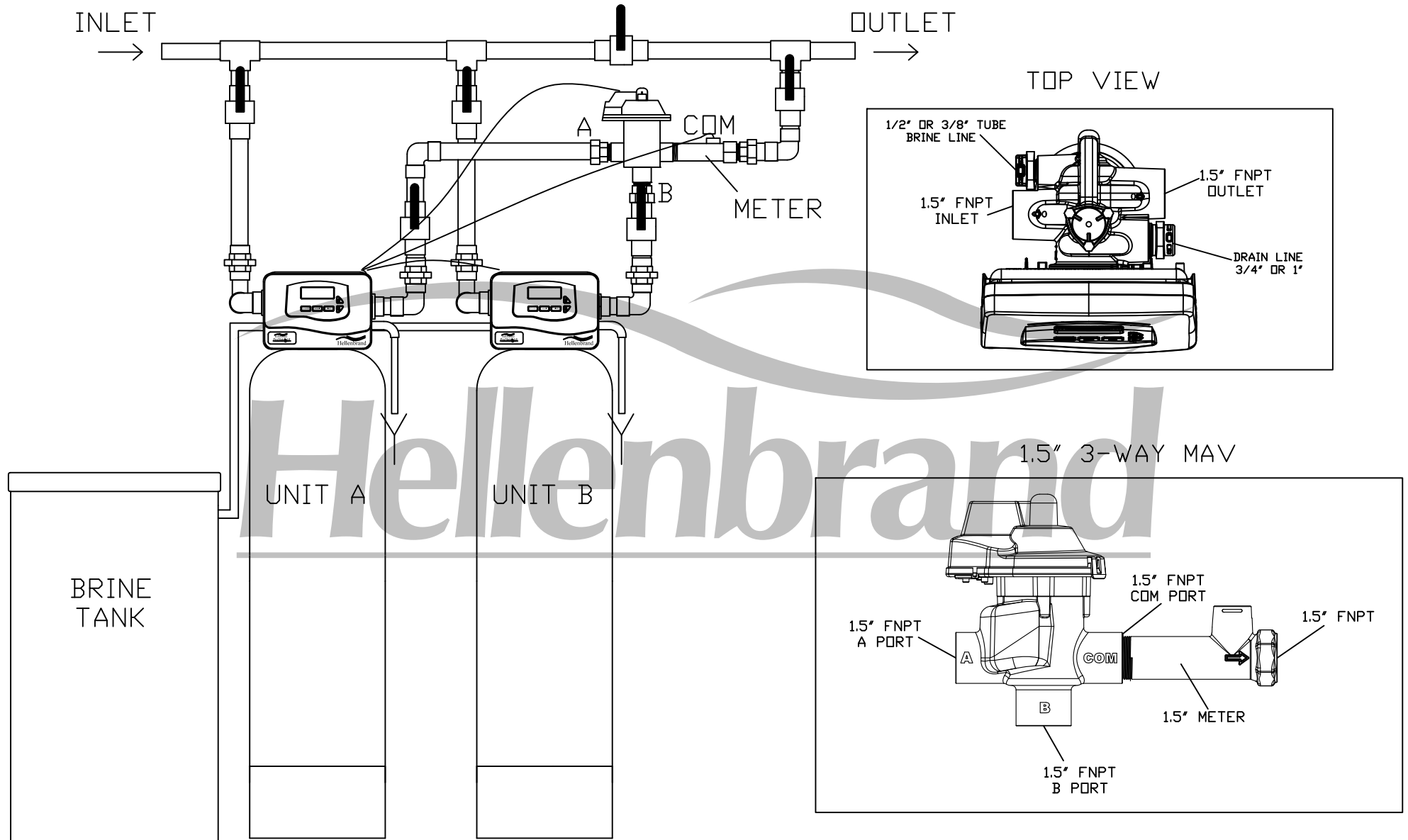
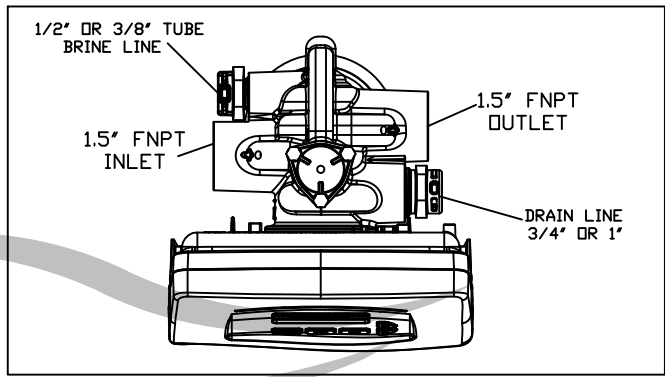


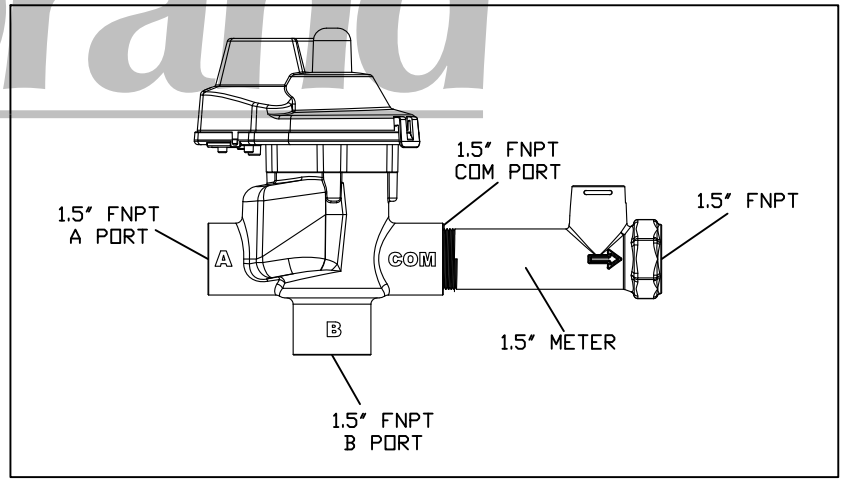
H150 TWIN ALTERNATING INSTALLATION DIAGRAM WITH 1.5" MAV



TOP VIEW



1.5" 3-WAY MAV



Hellenbrand